

4

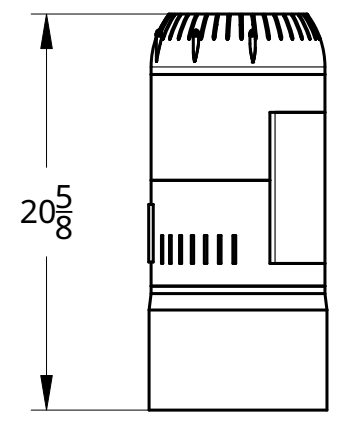
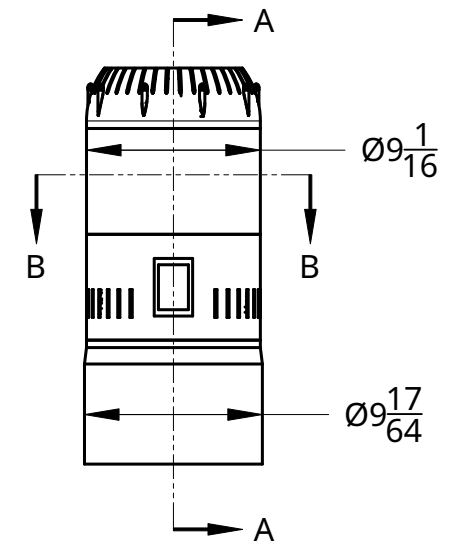
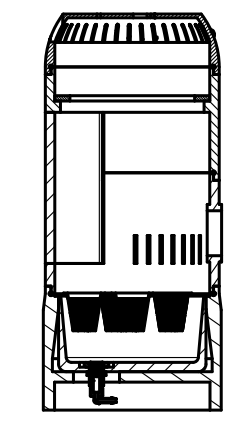
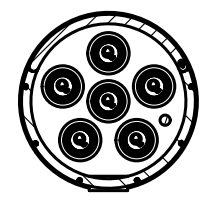
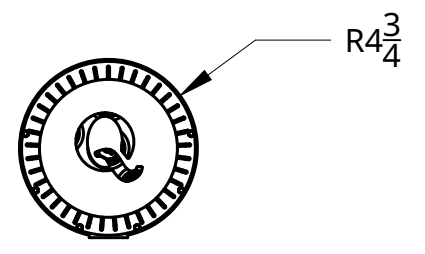
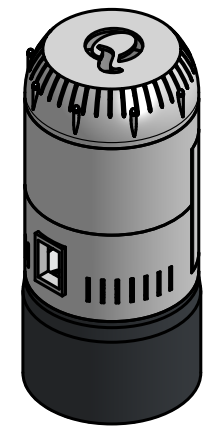
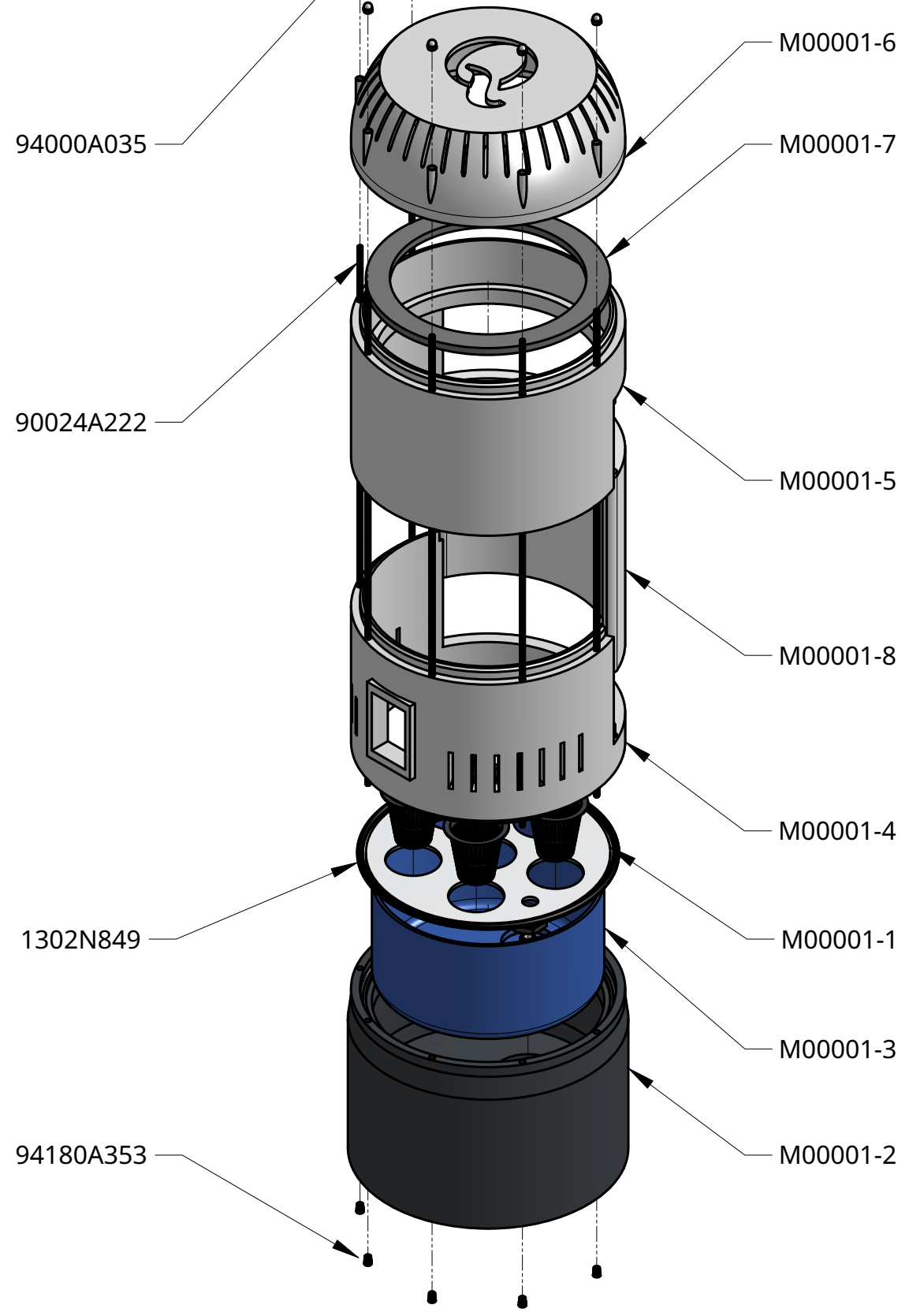
3

2

1

D

D



C

C

B

B

A

A

SCALE 1:5

	TITLE Cura Viridi Platform Kit Mini InQubator Enclosure Mechanical Hardware Assembly		
	SIZE B	DWG NO. DRWM00001	REV. 1
	SCALE 1:10	WEIGHT 2.25 lb	SHEET 1 of 1

4

3

2

1